

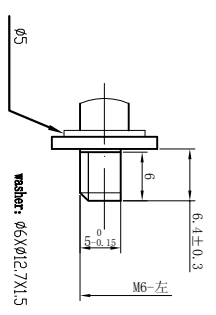
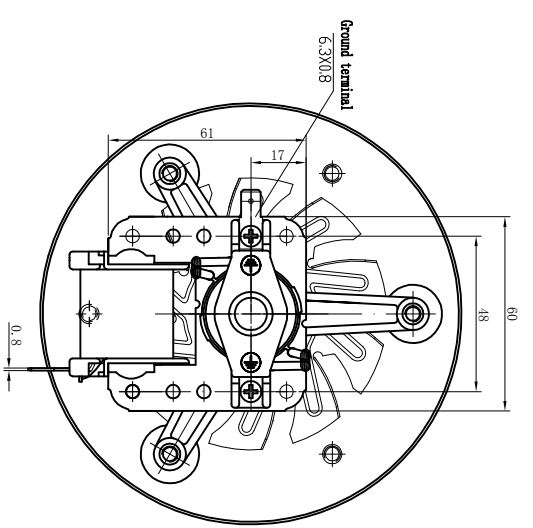
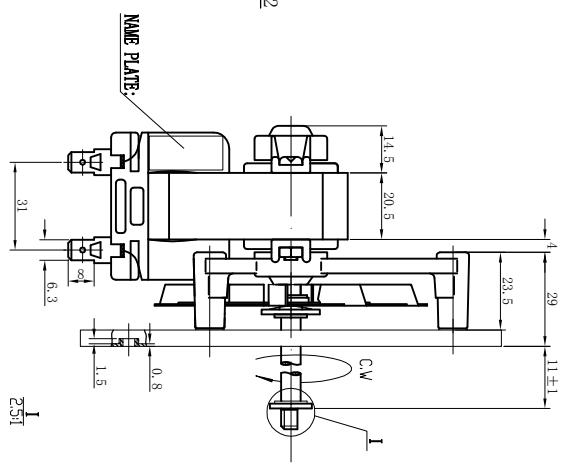
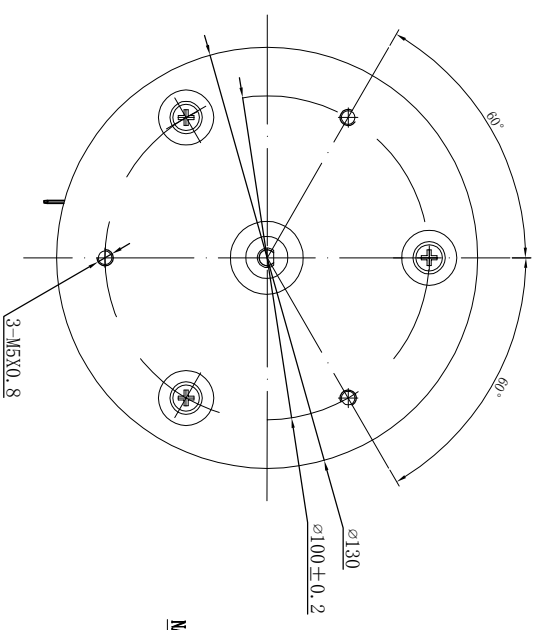
1

2

3


4


A



- Technical requirements**
1. Rated Voltage : AC240V 50Hz
  2. Motor surface norust and no transform
  3. Motor parameter meet the test report .
  4. motor screw screw up , no screw smooth , rotor turn flexible,
  5. smooth, no abnormal sound;
  6. Rotation direction: CW, See from the shaft;
  7. Dielectric strength test , 1800V 2MA 1S
  7. Motor on load speed 1350RPM

NAME PLATE:


**R61-230**  
**H**  
 220-240VAC 50/60Hz 30W  
 Z.P. CLASS H

DESIGNED BY			model	R61-230H
PROOFREAD BY				
AUDITINGED BY				
APPROVED BY			±0.2	
			1:1	
			SCALE 1:1	

1

2

3

4

D